



### ENGINE

Make	: DEUTZ
Type	: TCD 2012 L04 2V Diesel Engine
Number of Cylinders	: 4 in line
Bore & Stroke	: 101 mm x 126 mm
Displacement	: 4.038 cc
Maximum Power	: 138 HP (103 kW) @2400 rpm
Maximum Torque	: 520 Nm @1600 rpm
High power and torque output, water cooled, turbocharged diesel engine.	
Conforms to European Stage III-A exhaust gas emission regulations	

### STEERING SYSTEM

Oscillation angle	: ± 12°
Articulation angle	: ± 35°

### CAPACITY

Fuel tank	: 350 L
Hydraulic tank	: 105 L

### VIBRATION

Vibration frequency, for high amplitude/for low amplitude	: 27,5/30 Hz
Amplitude, high/low	: 2,01/0,81 mm
Centrifugal force, for high amplitude/for low amplitude	: 252/120 kN

### DRIVING SPEED

Maximum slope with vibration / without vibration	% 46 / % 49
1 <sup>st</sup> gear	: 5 km/h
2 <sup>nd</sup> gear	: 6 km/h
3 <sup>rd</sup> gear	: 7 km/h
4 <sup>th</sup> gear	: 12 km/h

### ELECTRICAL SYSTEM

Voltage	: 24 V
Battery	: 2 x 12 V 105 Ah
Alternator	: 28 V / 80 A
Starting Motor	: 24 V / 4 kW

### CAB & HOOD

- Widened visual angle
- Ergonomic & Aesthetic Interior Design
- 8" LCD coloured touchpad display
- Externally servicable Air Conditioner system
- Cool-box
- ROPS cab
- Suspension seat
- Pool type floor mats
- Tablet PC and phone holder
- Cleanable pockets
- SmartLink (Optional)
- Storage boxes for operator
- Sun-wisors
- LED Beacon (optional)
- LED working lights (optional)
- Rear view camera
- One-piece opening hood
- Locking with one key (Door / Operation)
- Front and rear window wipers

### TIRES

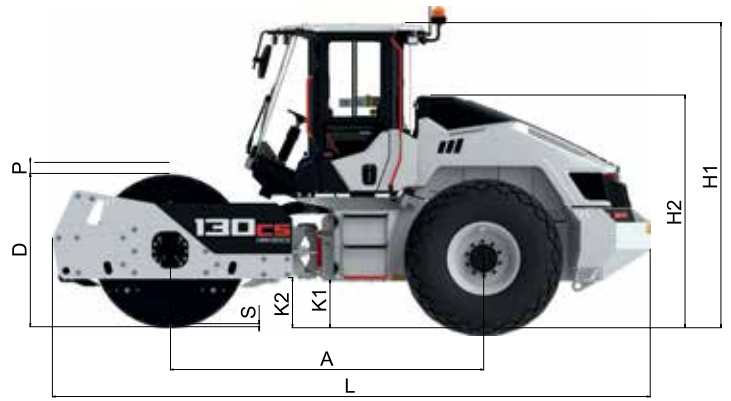
23.1-26 12 PR
---------------

### WEIGHT

Operating weight, CECE, ROPS Cabin	: 13.250 kg
Drum (front axle load)	: 8.150 kg
Wheels (rear axle load)	: 5.100 kg

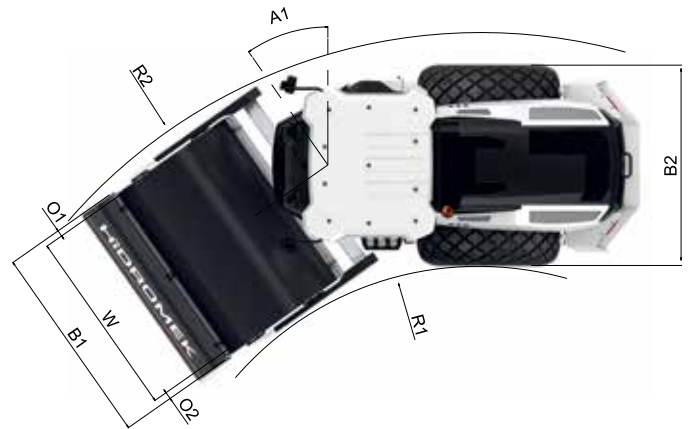
Operational weight, complying with the EN500-1 standards, includes half fuel tank, hydraulic system and other liquids, 75 kg operator weight and standard equipped machine weight. Optional equipments are not included.

# HMK130CS



## DIMENSIONS

A	Wheelbase	3.065 mm
L	Length (standard equipment), Maximum	5.855 mm
H1	Height (with ROPS cabin), Maximum	2.970 mm
H2	Height without cabin (expedition)	2.280 mm
D	Diameter, drum	1.500 mm
S	Shell thickness, drum	30 mm
W	Width, drum	2.130 mm
P	Height, pads (option)	100 mm
K1	Ground clearance, tractor frame	470 mm
K2	Ground clearance, drum frame	490 mm
B1	Width (standard equipped), Maximum	2.280 mm
B2	Width, tractor frame	2.170 mm
A1	Turning angle	± 35°
O1	Lateral overhang, right	70 mm
O2	Lateral overhang, left	80 mm
R1	Turning radius, inside	3.715 mm
R2	Turning radius, outside	6.175 mm



**HİDROMEK**

### FACTORY - HEAD OFFICE

Ahi Evran OSB Mahallesi Osmanlı Caddesi No:1 06935 Sincan / ANKARA / TURKEY  
 Tel: (+90) 312 267 12 60 Fax: (+90) 312 267 12 39  
[www.hidromek.com](http://www.hidromek.com)

Notice:  
 Hidromek has the right to modify the specifications and design of the model indicated on this brochure without prior notice.